



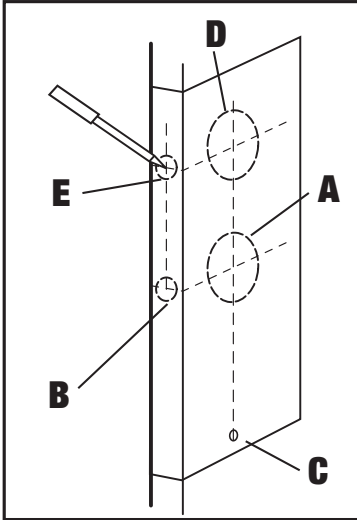
# DOOR PREPARATION INSTRUCTION FOR PUSH PULL ROTATE HANDLESETS

FOR BRINKS HOME SECURITY™ PUSH PULL ROTATE ENTRY DOOR HANDLESETS.

QUESTIONS? CALL 1-800-562-5625 FOR HELP.

999-00339E\_EN

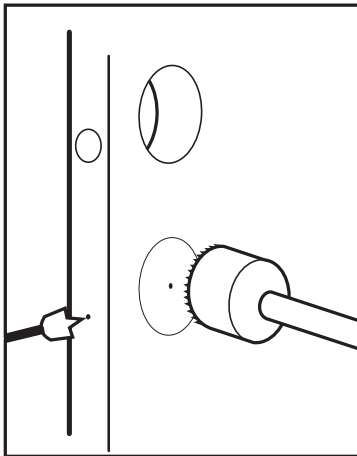
## MARKING THE HOLE LOCATIONS



Converting from an existing standard door knob to a handleset.

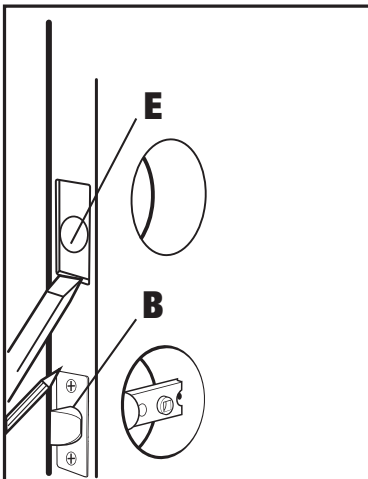
- Remove existing hardware.
- Determine the side of the template that allows you to place it on the **OUTSIDE** surface of the door. Fold enclosed template along indicated line and place template against door edge.
- Align Hole **A** on template with existing door knob hole.
- Mark Hole **C**, but do not drill until confirming location. **Ensure Hole C is directly below the center of Hole A.**
- Confirm all other holes are properly prepared and proceed to the hardware installation instructions.

## FOR NEW INSTALLATION INTO A NON-BORED DOOR



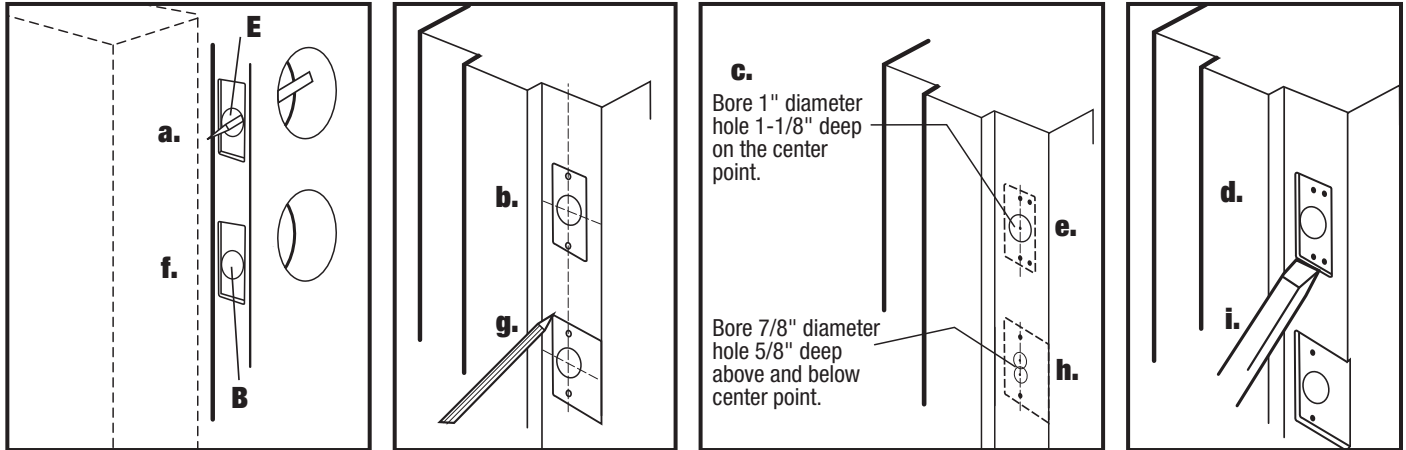
- Determine the side of the template that allows you to place it on the **OUTSIDE** surface of the door. Fold enclosed template along indicated line and position template against door edge at desired height. (Handleset is typically 38" (965 mm) from the ground with deadbolt located at least 5-1/2" (140 mm) above handleset).
- Determine door thickness and desired backset and mark centers for Holes **A** through **E**.
- Drill designated diameters for holes **A**, **B**, **D**, and **E**. Mark Hole **C**, but do not drill until confirming the location. **Ensure Hole C is directly below the center of Hole A.**

## LATCH RECESS PREPARATION



- Insert Deadbolt latch into Hole **E** and Handleset latch into Hole **B**.
- Outline each latch faceplate onto door edge.
- Remove latches and chisel outlined area approximately 5/32" (4 mm) deep or until each faceplate is flush.
- Reinsert latches into the respective holes, mark and drill pilot holes for faceplate screws.

## STRIKE PLATE PREPARATION



### FOR DEADBOLT STRIKE PLATE (SEE 999-00340E\_EN STEP 12 FOR INSTALLATION INSTRUCTIONS)

- With door closed, use a nail or marker through Hole E to mark center location of strike plate onto door jamb.
- Using the strike plate as a template, outline plate onto door jamb.
- Drill a 1" (25.4 mm) hole 1-1/8" (28 mm) deep on the center location mark.
- Chisel out outlined area approximately 7/32" (5.5 mm) deep or until strike plate and strike subplate are flush.
- Reposition strike plate and strike subplate. Mark and drill 4 pilot holes for screws.

### FOR HANDLESET STRIKE PLATE (SEE 999-00340E\_EN STEP 12 FOR INSTALLATION INSTRUCTIONS)

- With door closed, use a nail or marker through Hole B to mark center location of strike plate onto door jamb.
- Using the curved strike plate as a template, outline plate onto door jamb.
- Drill two 7/8" (22 mm) holes 5/8" (16 mm) deep above and below center location mark, barely overlapping each other. Chisel out remaining edge material.
- Chisel out outlined area approximately 1/16" (1.6 mm) deep or until strike plate is flush.
- Reposition strike plate, mark and drill pilot holes for screws.

**CONFIRM THAT ALL HOLES HAVE BEEN PROPERLY PREPARED AND PROCEED TO THE HARDWARE INSTALLATION INSTRUCTIONS.**

**FULL LIFETIME WARRANTY** - This product is fully warranted to be free of defects in material and workmanship for the life of the product. If a defect in material or workmanship occurs, call 800-562-5625 for instructions on how to have it replaced or repaired free of charge. This warranty is null and void if the product was used for purposes for which it was not designed, is abused, misused, modified or improperly installed, operated, maintained, and/or repaired. NOT LIABLE FOR INCIDENTAL, INDIRECT, OR CONSEQUENTIAL DAMAGES. Some states do not allow the exclusion or limitation of incidental or consequential damages, so the above limitation or exclusion may not apply to you. This warranty gives you specific rights, and you may also have other rights that vary from state to state.



Brink's trademark & copyright works are used with permission.

999-00339E\_EN

Hampton Products International Corp.  
50 Icon, Foothill Ranch, CA 92610-3000 USA  
www.hamptonproducts.com 1-800-562-5625  
www.brinksprr.com

©2015 Hampton Products International Corp.  
999-00339E\_EN\_REVA 11/15