



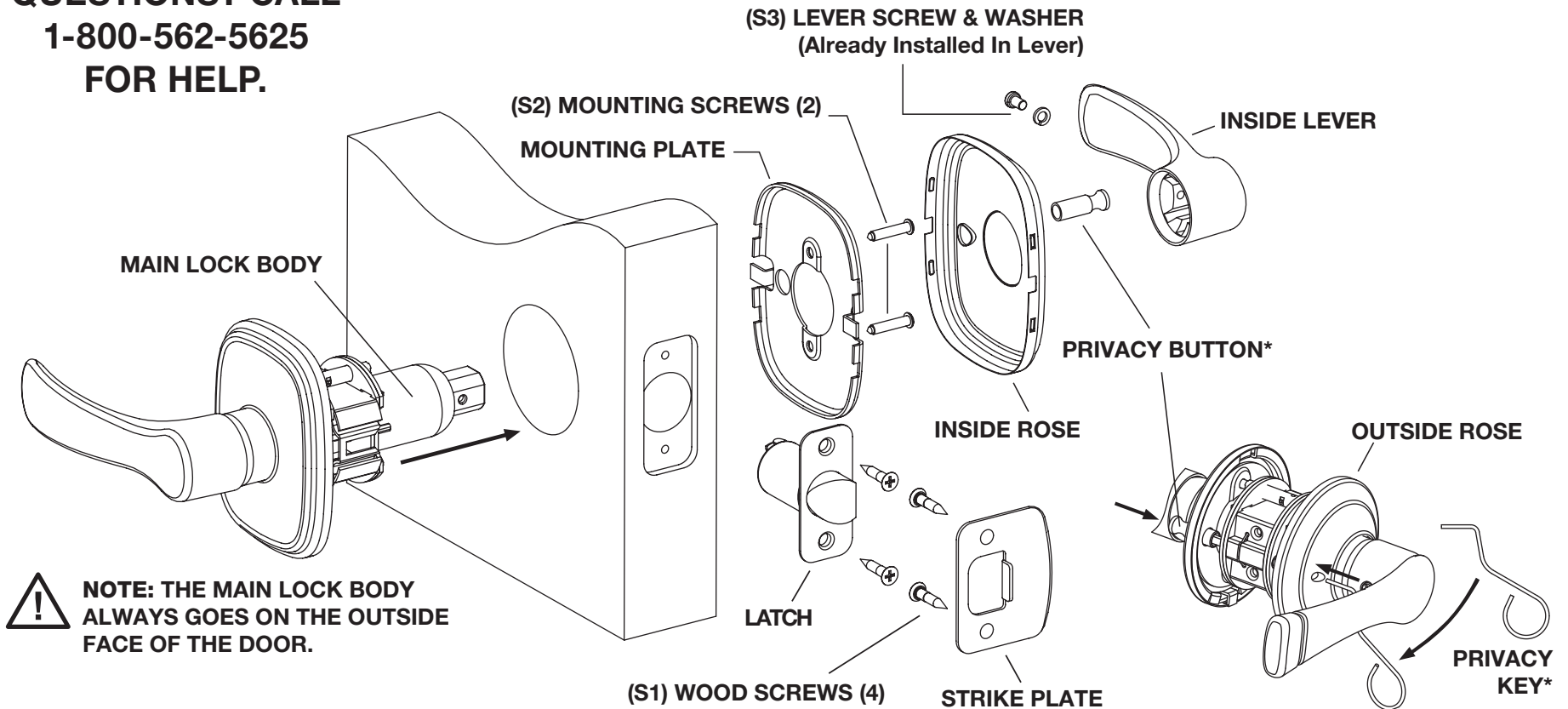
INSTALLATION & OPERATION INSTRUCTIONS FOR PUSH PULL ROTATE™ LEVER HANDLE LOCKSETS

999-00333E_EN

FOR BRINKS HOME SECURITY™ INTERIOR LOCKING & NON-LOCKING PUSH PULL ROTATE™ LEVER HANDLE LOCKSETS.

FITS DOORS 1-3/8" (35 mm) TO 1-3/4" (45 mm) THICK • WORKS FOR BOTH IN-SWINGING AND OUT-SWINGING DOORS. SEE STEP 2.

**QUESTIONS? CALL
1-800-562-5625
FOR HELP.**



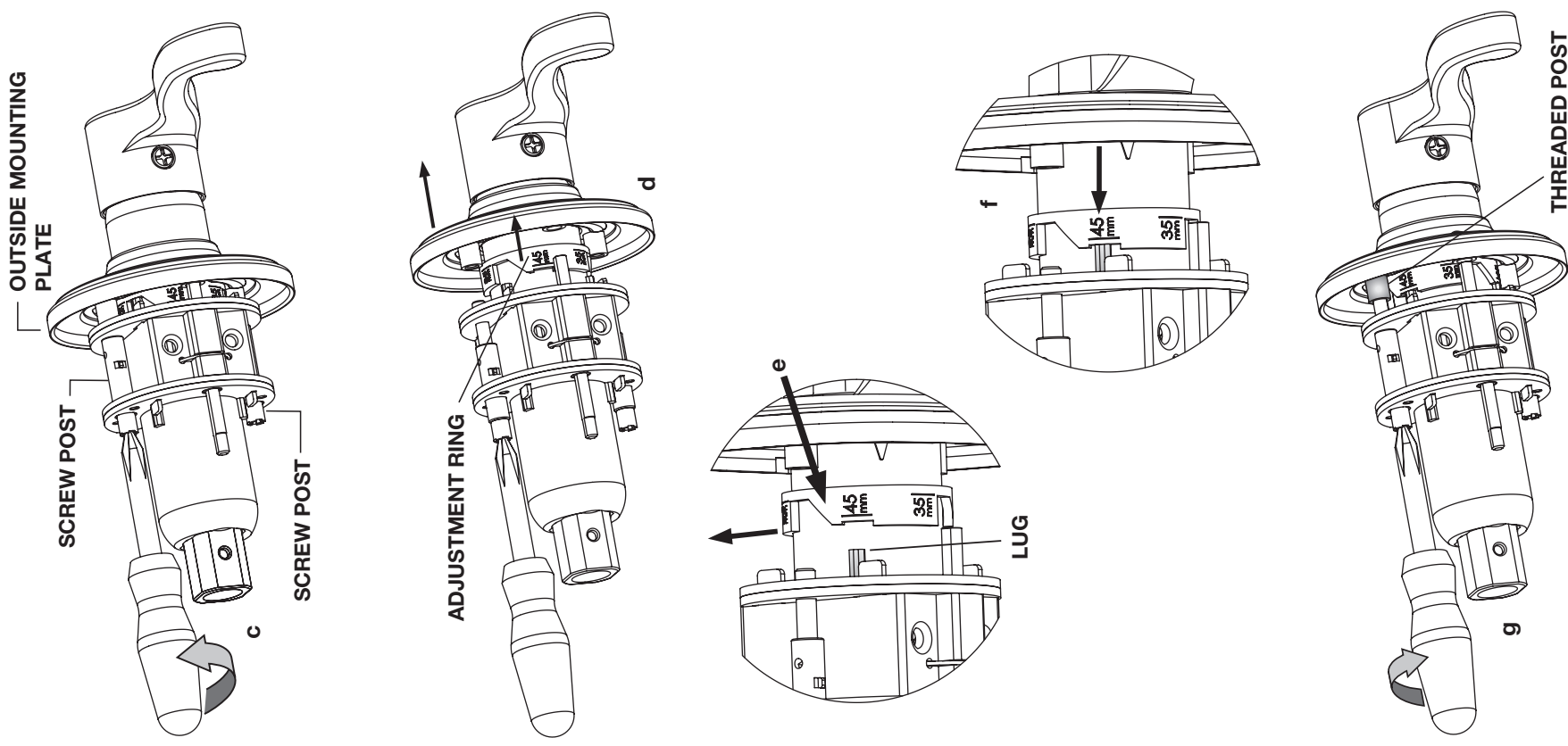
* INTERIOR LOCKING LOCKSETS ARE PROVIDED WITH A PRIVACY BUTTON AND PRIVACY KEY. PUSH THE PRIVACY BUTTON TO LOCK THE OUTSIDE LEVER. THE PRIVACY KEY CAN BE USED FOR UNLOCKING BY INSERTING IN THE HOLE IN THE OUTSIDE ROSE AND PUSHING THE PRIVACY BUTTON BACK. OPERATING THE INSIDE LEVER WILL UNLOCK THE OUTSIDE LEVER. (IF THE PRIVACY KEY IS LOST, A PAPER CLIP CAN BE USED ALSO.)

FOR NEW INSTALLATIONS, SEE INSTRUCTION 999-00321E_EN. FOR REPLACEMENT INSTALLATIONS, PROCEED TO STEP 1.

⚠ IMPORTANT!

STEP 1 Adjust For Door Thickness

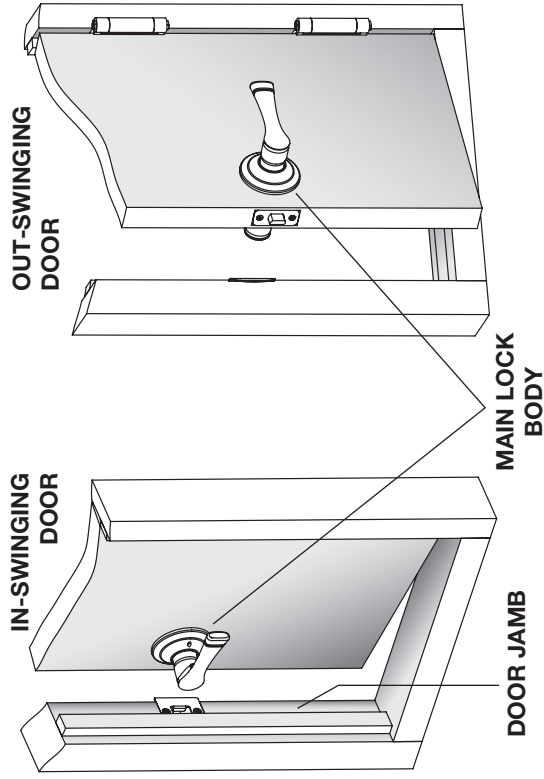
- a. Measure your door thickness. It should be 1-3/8" (35mm) or 1-3/4" (45mm). If in between these numbers, round to the nearest of those two thicknesses.
- b. Your lockset is pre-set for a 1-3/8" door. If your door thickness is about 1-3/8", proceed to Step 2.
- c. If your door is closer to 1-3/4" (45mm) thick, the position of the Outside Mounting Plate must be adjusted. Use a Phillips Head Screwdriver to loosen the two Screw Posts that hold the Mounting Plate.
- d. Slide the Mounting Plate back. Locate the Adjustment Ring and slide it back also.
- e. Rotate the Adjustment Ring until the 45mm notches on the ring are aligned with the Lugs.
- f. Slide the Adjustment Ring against the Lugs.
- g. Slide the Outside Mounting Plate back against the Adjustment Ring and secure it by screwing the two Screw Posts back into the Threaded Posts on the Mounting Plate. Tighten firmly.



STEP 2 Determine Your Type of Door

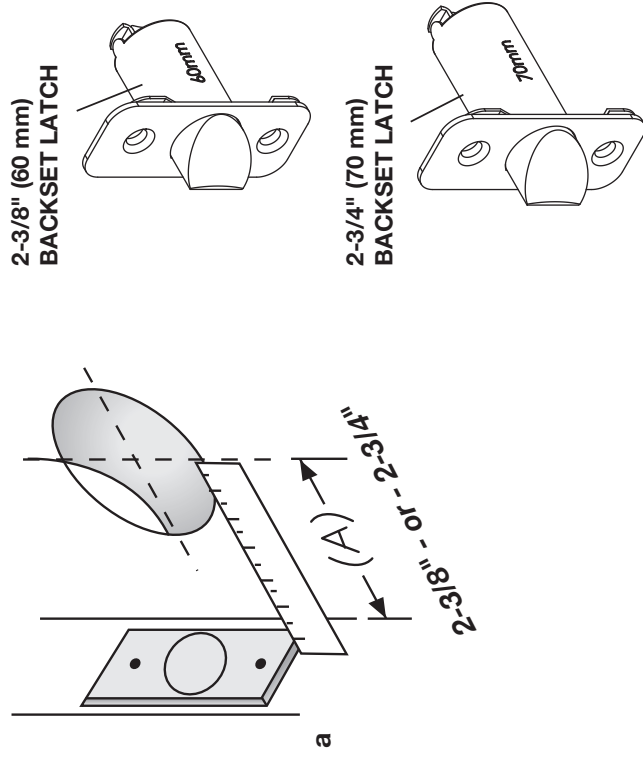
- The Push-Pull-Rotate Lever can be installed on both In-Swinging Doors (doors that are pushed into the room to enter from outside) and Out-Swinging Doors (doors that are pulled open to enter a room from outside).
- The Main Lock Body always goes on the outside face of the door. For Out-Swinging Doors, the outside face is the side of the door on which the hinges are visible.
- After installation, you will PUSH the lever to enter a room with an In-Swinging Door, or PULL the lever to enter a room with an Out-Swinging Door.

VIEW FROM OUTSIDE THE ROOM



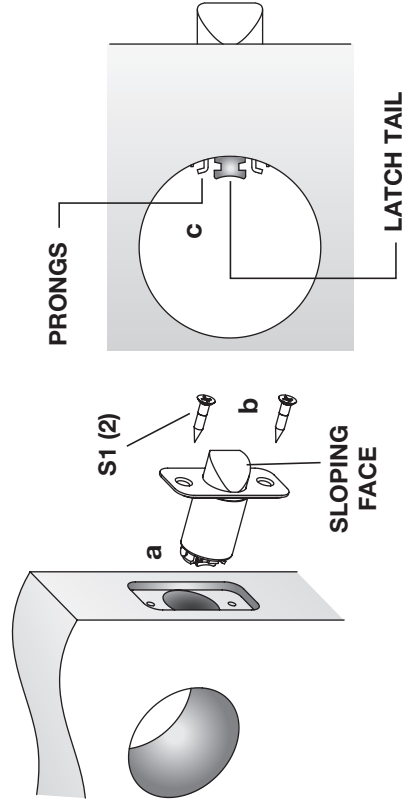
STEP 3 Select Appropriate Latch

- Backset is the distance from the door edge to the center of the 2-1/8" (54mm) hole on the door face.
- Select the 2-3/8" (60mm) or 2-3/4" (70mm) latch based on the backset of your door. (Most residential doors have a 2-3/8" backset.)



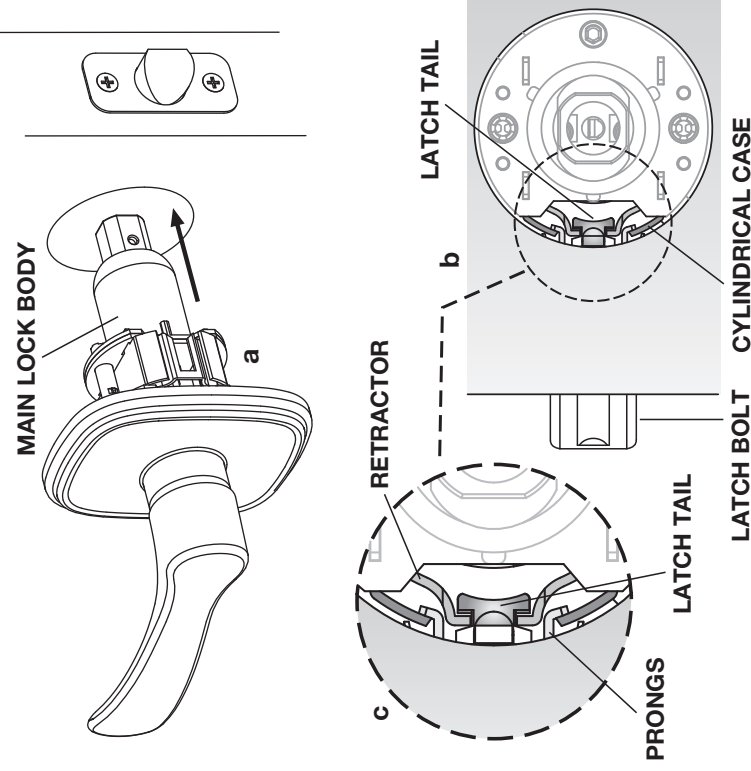
STEP 4 Install Latch

- Insert the latch into the 1" (25.4mm) hole in the door edge as shown. Be sure the sloping face of the latch bolt is facing towards the door jamb.
- Insert two (S1) Wood Screws in the faceplate holes and tighten.
- After installation, you should be able to see the Latch Prongs and Latch Tail(s) through the 2-1/8" bore in the door as shown. If not, review Step 3. Select Appropriate Latch.



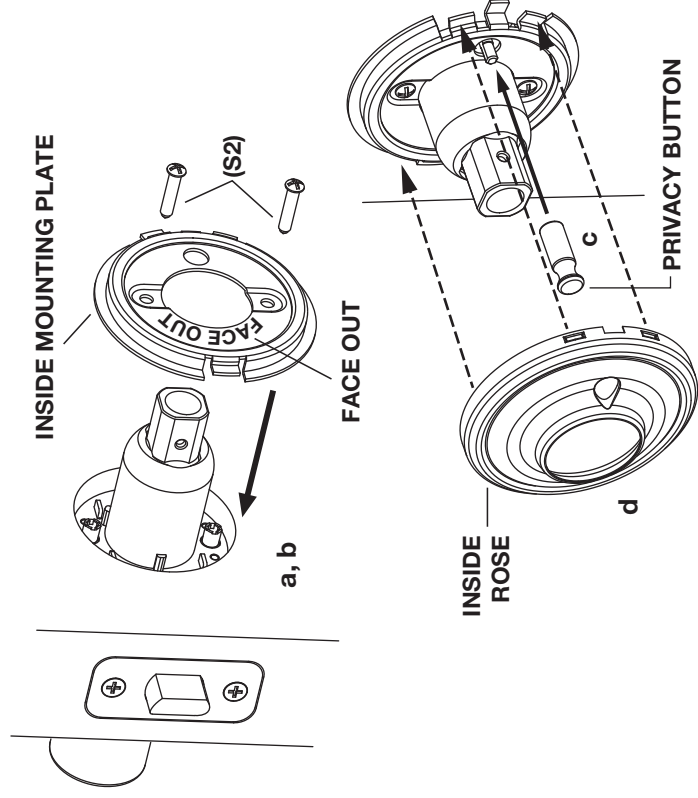
STEP 5 Install the Main Lock Body

- Insert the Main Lock Body through the 2-1/8" (54mm) hole in the door.
- Look through the hole from the inside of the door to guide the Main Lock Body.
- Make sure that the Cylindrical Case engages with the Latch Prongs and the Retractor interlocks with the Latch Tail.
- Test by rotating the lever - the latch bolt should retract.



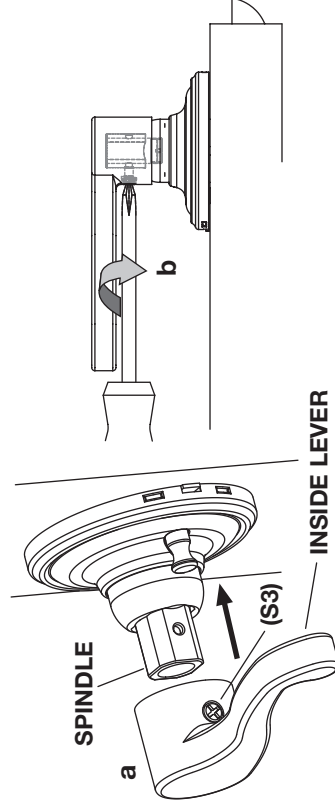
STEP 6 Install the Inside Mounting Plate and Rose

- Place the Inside Mounting Plate over the Main Lock Body and against the inside door face with the mounting holes aligned vertically. Position the mounting plate so it reads 'FACE OUT' when it is against the door.
- Insert the two (S2) Mounting Screws and engage the threaded holes in the Main Lock Body. Tighten firmly.
- For Interior Locking models, screw the Privacy Button onto the threaded shaft. Tighten firmly by hand.
- Install the Inside Rose by aligning with the notches on the Mounting Plate and snapping it on. (For Interior Locking models, ensure that the hole in the Rose aligns with the Privacy Button.)



STEP 7 Install Inside Lever

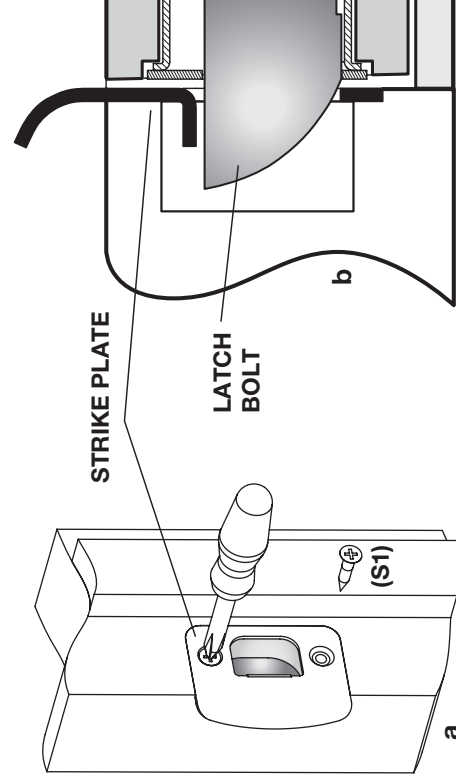
- Push the Inside Lever onto the Spindle until it stops.
- Tighten the (S3) screw located on the inside of the lever. The screw will engage the hole in the Spindle.
- Test installation by pushing, pulling and rotating the lever.



STEP 8

Install Strike Plate

- a. Secure the Strike Plate with two (S1) Wood Screws. Tighten firmly.
- b. It is important for Push-Pull-Rotate Locks for the Latch Bolt to move freely in and out of the Strike Plate.



STEP 9

Operation & Troubleshooting

PUSH-PULL Lever Operation

- a. Always **PUSH** or **PULL** the lever near the end as shown for best results.

In-Swinging Doors

- b. To open the door from the outside, **PUSH** the outside lever or rotate the lever in either direction.
- c. To exit the room, **PULL** the inside or rotate the lever in either direction.

Out-Swinging Doors

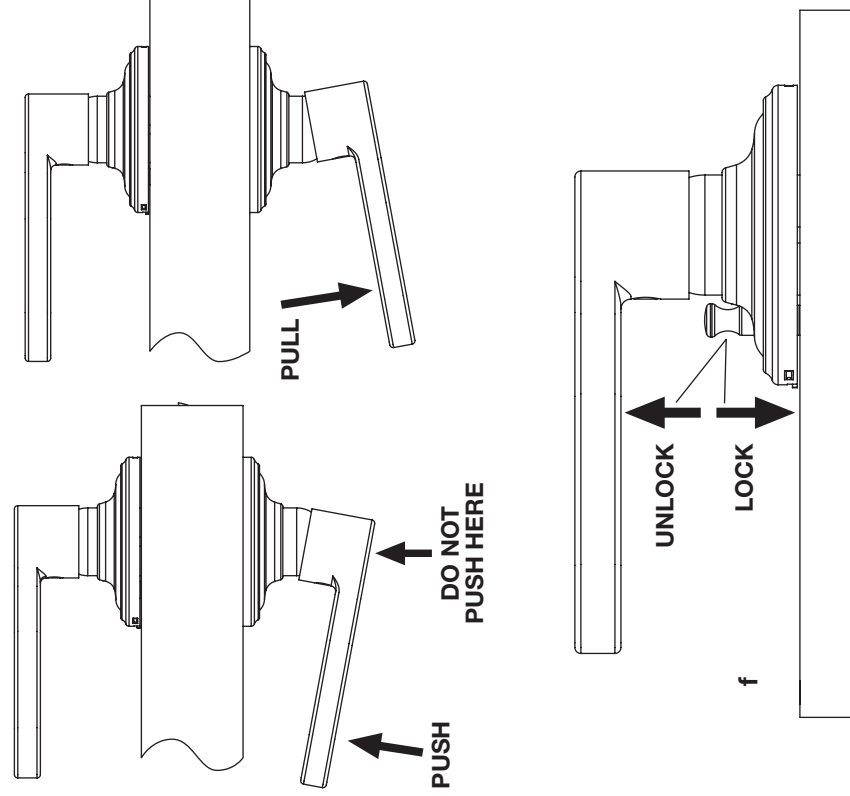
- d. To open the door from the outside, **PULL** the outside lever or rotate the lever in either direction.
- e. To exit the room, **PUSH** the inside lever or rotate the lever in either direction.

Interior Locking Lever Locksets

- f. **PUSH** the Privacy Button to lock. **PULL** the Privacy Button out or operate the inside lever to unlock.

Troubleshooting

- g. The **PUSH** and **PULL** functions work best when the latch bolt can move freely in and out of the Strike Plate.
- h. Weather stripping or a warped door can sometimes force the bolt against the Strike Plate. This will increase the force necessary to **PUSH** or **PULL** the lever. For best results, re-position the Strike Plate so there is no force against the bolt.



FULL LIFETIME WARRANTY - This product is fully warranted to be free of defects in material and workmanship for the life of the product. If a defect in material or workmanship occurs, call 800-562-5625 for instructions on how to have it replaced or repaired free of charge. This warranty is null and void if the product was used for purposes for which it was not designed, is abused, misused, modified or improperly installed, operated, maintained, and/or repaired. **NOT LIABLE FOR INCIDENTAL, INDIRECT, OR CONSEQUENTIAL DAMAGES.** Some states do not allow the exclusion or limitation of incidental or consequential damages, so the above limitation or exclusion may not apply to you. This warranty gives you specific rights, and you may also have other rights that vary from state to state.



Brink's trademark & copyright
works are used with permission.

999-00333E_EN

Hampton Products International Corp.
50 Icon, Foothill Ranch, CA 92610-3000 USA
www.hamptonproducts.com 1-800-562-5625
www.brinksppr.com
©2015 Hampton Products International Corp.
999-00333E_EN_REVA_02/15